



Shielded SMD Power Inductors - SRS74R SERIES

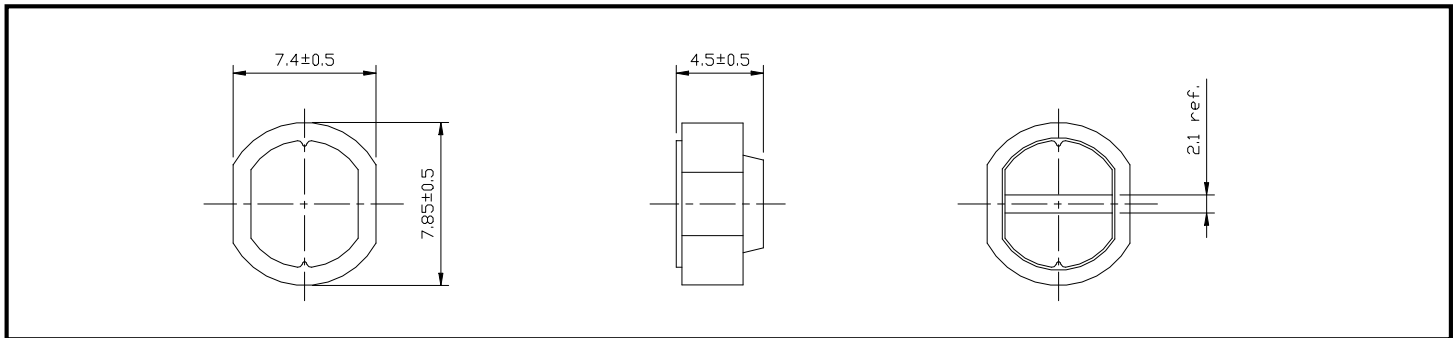


PART NUMBERING SYSTEM

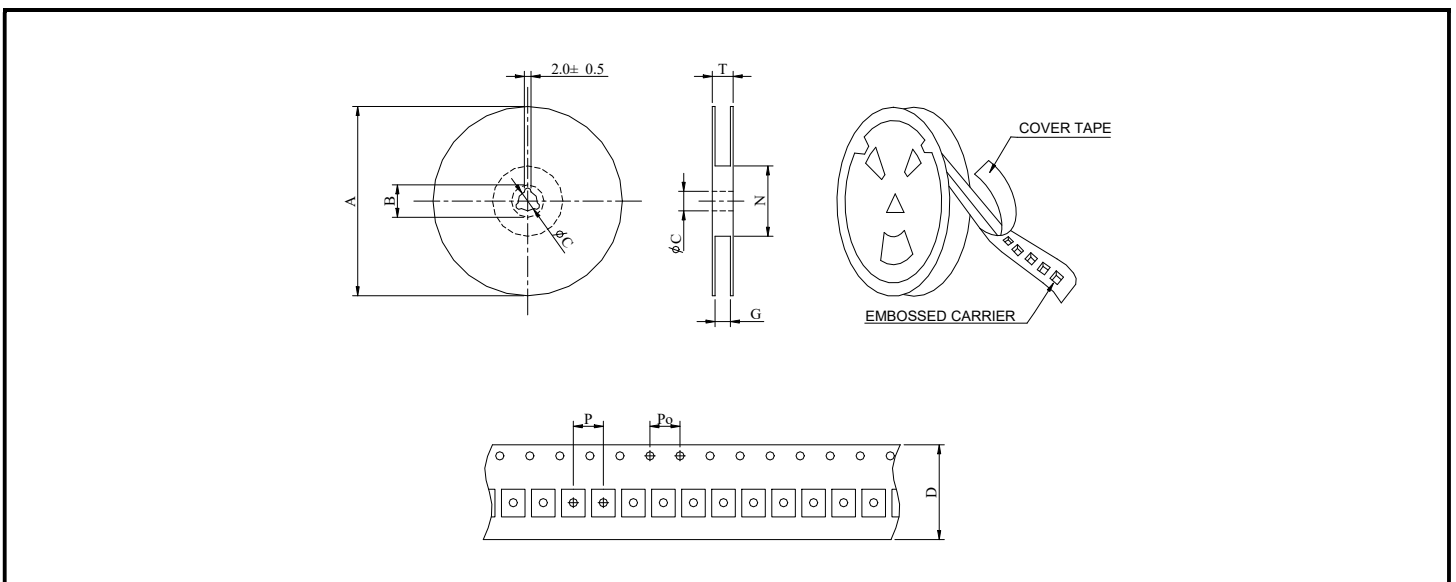
SRS	74R	—	470M	—	LF
TYPE	DIMENSIONS		INDUCTANCE		LEAD FREE

SHAPES AND DIMENSIONS

UNIT : mm



PACKAGING SPECIFICATION



SERIES	STAYLE	Q'TY (PCS)	DIMENSIONS (m/m)								
			A	B±0.8	C±0.5	D	G ⁺⁰	N ⁻⁰	P	Po	T
SRS74R	13-16	1000	330	21	13	16	18	50	12	4	22.4

Shielded SMD Power Inductors - SRS74R SERIES



SPECIFICATION TABLE

PART NUMBER	INDUCTANCE (μH)	DCR (Ω) (Max.)	IDC (A) (Max.)	TEST FREQ. (Freq.)
SRS74R-100M-LF	10±20%	0.07	1.65	2.52MHz
SRS74R-120M-LF	12±20%	0.07	1.57	2.52MHz
SRS74R-150M-LF	15±20%	0.08	1.39	2.52MHz
SRS74R-180M-LF	18±20%	0.10	1.29	2.52MHz
SRS74R-220M-LF	22±20%	0.13	1.12	2.52MHz
SRS74R-270M-LF	27±20%	0.16	1.06	2.52MHz
SRS74R-330M-LF	33±20%	0.18	0.97	2.52MHz
SRS74R-390M-LF	39±20%	0.18	0.91	2.52MHz
SRS74R-470M-LF	47±20%	0.27	0.80	2.52MHz
SRS74R-560M-LF	56±20%	0.29	0.76	2.52MHz
SRS74R-680M-LF	68±20%	0.33	0.68	2.52MHz
SRS74R-820M-LF	82±20%	0.42	0.62	2.52MHz
SRS74R-101M-LF	100±20%	0.49	0.55	1KHz
SRS74R-121M-LF	120±20%	0.68	0.49	1KHz
SRS74R-151M-LF	150±20%	0.94	0.44	1KHz
SRS74R-181M-LF	180±20%	1.00	0.40	1KHz
SRS74R-221M-LF	220±20%	1.18	0.36	1KHz
SRS74R-271M-LF	270±20%	1.30	0.33	1KHz

- DC current at which the inductance drops 25% (typ) from its value without current.
- Operating temperature range -40°C to +125°C ,
- Electrical specifications at 25°C.